



### Features

Series:	T
Type:	50
Code:	07.525.022.10
Description:	T501210ENC12112
Customer's code:	-
Colour:	Yellow

### Last drawing

Index: - Date: -

### Application

-

### Driveline data

X	1 3/8" Z6 DIN 9611
Y	1 3/8" Z6 DIN 9611
E	1060-41.73"
I	1075-42.32"
P	990-38.98"

### Overlap

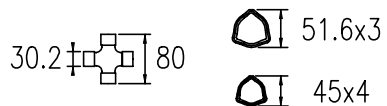
	Steel tubes	Guard
Max.	1031-40.59"	970-38.19"
Min.	347-13.66"	286-11.26"

### Greasing point

1)	-
2)	-

The dimensioning is cross to cross

### Cross and tubes



### End fittings


Tractor	Cod: C12	-
Implement	Cod: 112	-

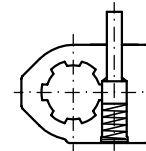
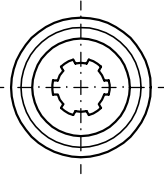
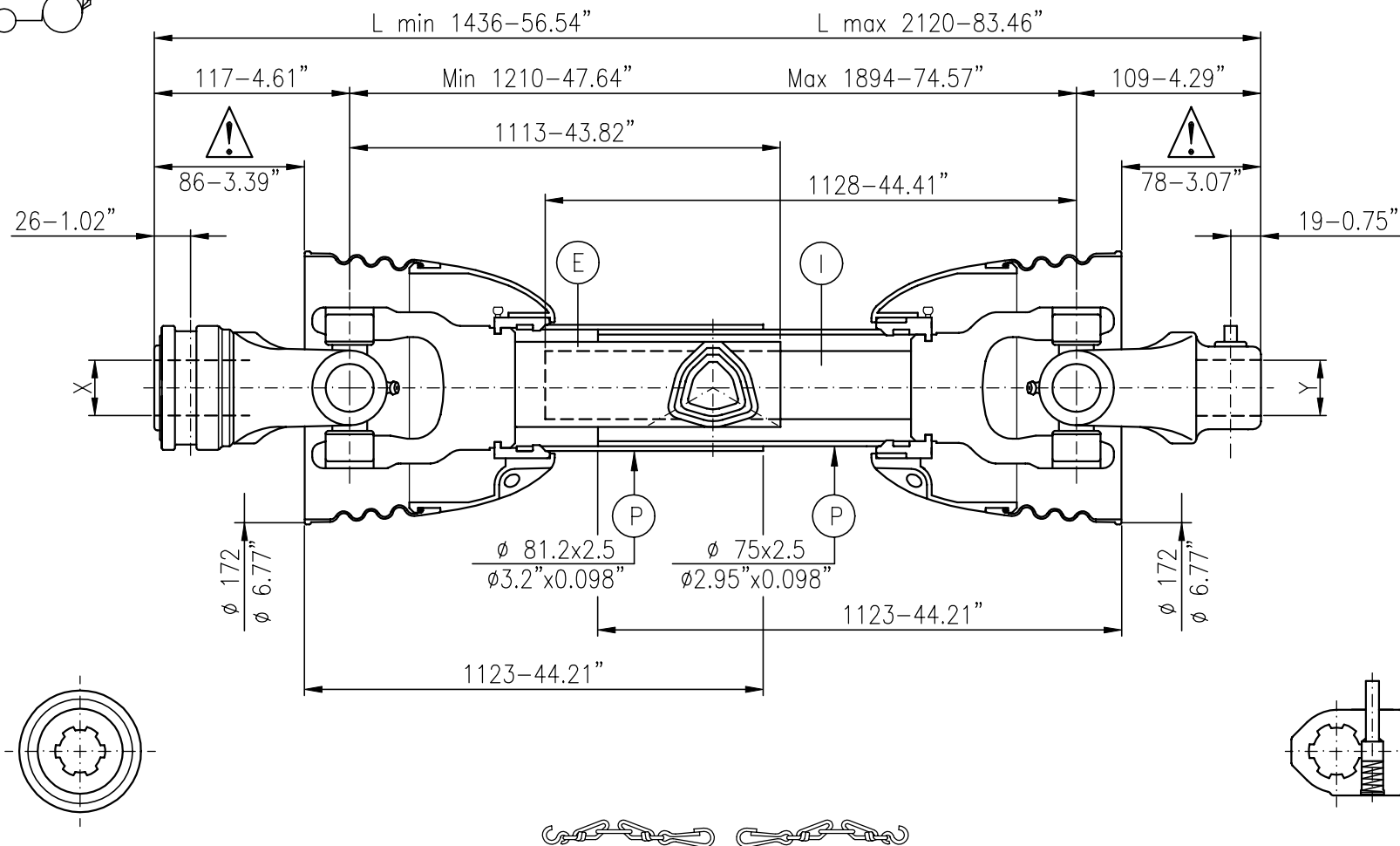
### Max. torque

### Notes:

CE CERTIFIED

### Warning !

Sections of driveline marked  are not shielded and must be shielded by an interactive guarding system. COMER spa declines responsibility if proper guards are not provided or maintained.



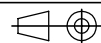
### Data 540 r.p.m.

KW	CV	Nm.	in.lb.
35	47	620	5500

### Data 1000 r.p.m.

KW	CV	Nm.	in.lb.
54	74	520	4600

1100 min.<sup>-1</sup>  
r.p.m. max.



### Data for only critical velocity

540 r.p.m.		1000 r.p.m.	
Max.	-	Max.	-
L max.	-	L max.	-

Checked: Signed by: F.L.

### Customer:

-

Date: 13-07-09

Continuous operation data and conditions, working angle 5°, average life 1000 hours